

ARGUS® 142

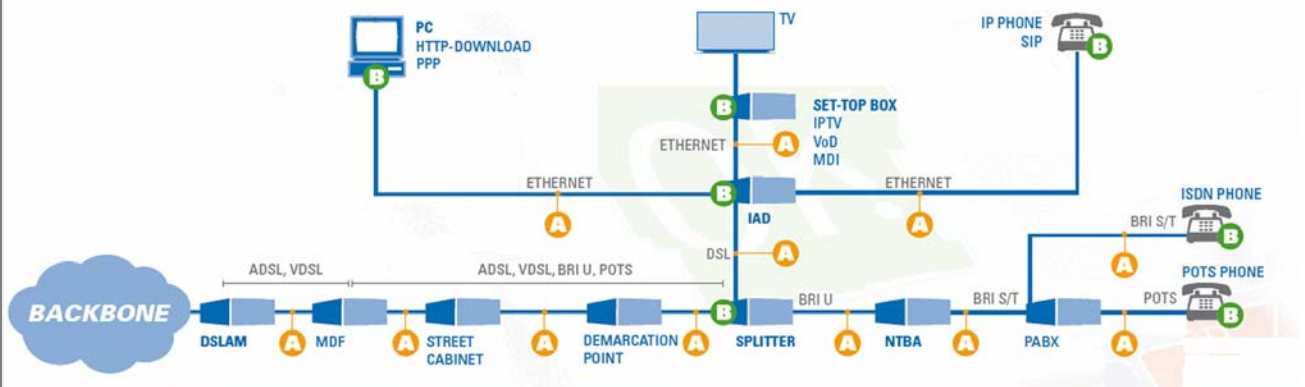
VDSL + ADSL UNIVERSAL TESTER



- VDSL
- ADSL
- ETH
- ISDN
- POTS
- Data
101101011011
- IP TV
- Vo IP
- MOS
- PC
- USB

intec

GESELLSCHAFT FÜR
INFORMATIONSTECHNIK mbH



The VDSL + ADSL universal test set

The ARGUS®142 tests VDSL2, ADSL, Ethernet and ISDN (BRI S/T and U interface) and POTS as well - with no module swapping. This convenient universal tester with a colour display integrates all those interfaces into a single device. Separate chipsets for ADSL and VDSL2 ensure optimum performance.

Lineman's handset for POTS, ISDN and VoIP

In addition to its functionality as an analog butt set and as a complete ISDN tester, it also offers support for testing VoIP via ADSL and VDSL interfaces and Ethernet. Besides simulating a terminal, it also offers extensive statistic functions and evaluates voice quality in accordance with the proven MOS technique.

Download, MDI, VoD and IPTV test set

In addition, the tester includes support for determining the Media Delivery Index (MDI) and, when it is used to simulate a set-top box (STB), the ARGUS®142 can also be used to assess IPTV and Video on Demand data streams. The ARGUS®142 can be also well equipped for checking Internet connections as it has IP ping and download test functions.

Long-term analysis & copper test set

Rounding out the package, it can operate in bridge and router mode and can also perform an IPTV or ADSL online trace when it is used together with WINanalyse. Resistance and capacitance measurements are available to check the physical characteristics of the subscriber's line. In view of the above set of features, it is obvious that the ARGUS® 142 offers a range of measurement functions for use on various interfaces. Nonetheless, this set of features has been packed into an extremely small and handy device; one that is compact to use on location - wherever that location might be - but also ready for use in no time.

Easy operation

The ARGUS®142 is also extremely easy to use. It has a large (320 x 240 pixels) colour display, uses softkeys and has not only a USB client but also a USB host interface, which can be used to connect a USB stick for example. The tester uses a high-powered, long-life Li-Ion battery pack.

intec Gesellschaft für Informationstechnik mbH

intec Gesellschaft für Informationstechnik mbH is developing high-quality products for the international telecommunications market for more than 20 years and is one of the leading suppliers of xDSL, ISDN and IP measurement technology in Europe today.

The successful ARGUS measurement equipment enables its users to conveniently and safely commission and troubleshoot xDSL and ISDN accesses as well as those services that are based on these interfaces such as VoIP and IPTV. ARGUS testers are designed to meet the day-to-day needs of staff in the field; consequently intec engineers focus on ensuring high-quality measurement in a compact device that is exceptionally uncomplicated to use.

The portfolio of ARGUS testers, software and analysers benefits from continual further development and is kept up-to-date with support for the latest standards for all the common access types and protocols as well as for the newest features of the Next Generation Networks (NGN) and Triple Play.

Throughout the world, numerous telecommunication companies have come to appreciate and rely on the advantages offered by intec equipment; to name just a few Deutsche Telekom, Saudi Telecom, Telefonica, KPN, British Telecom and Telekom Austria.



VDSL2, ADSL, Ethernet, ISDN, POTS, copper as well as VoIP and IPTV tester

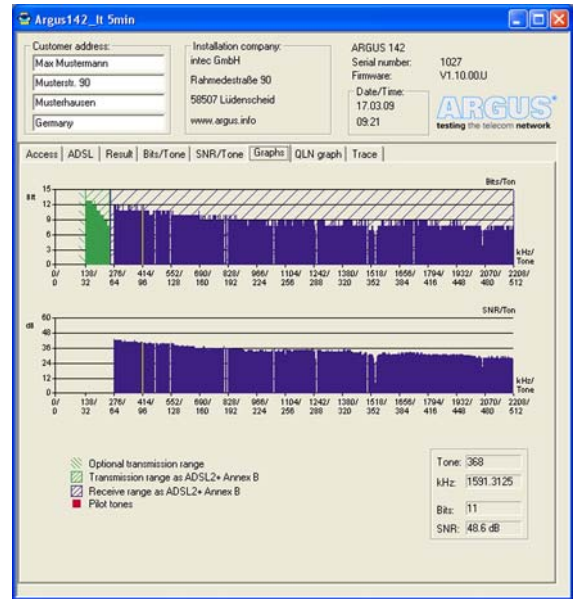
ARGUS[®]142 is a compact universal handheld tester for testing all current customer interfaces.

WAN/LAN interfaces:

- **ADSL2/2+** + modem simulation, ADSL tester, ATU-R
 - Supports amongst others the ITU-T G.992.3, Annex A/B/M
 - Optional bridge, router and PC replacement mode
 - Automatic measurement and display of all available up- and downstream parameters and error counters (INP, SRA)
 - Separate ADSL chipset for best performance
 - Long-term analysis via WINanalyse software
- **VDSL2** modem simulation, VDSL tester, VTU-R
 - Supports the ITU-T G.993.2 (e. g. profiles 8b, 17a, 30a)
 - Optional bridge, router and PC replacement mode
 - Automatic measurement and display of all available up- and downstream parameters and error counters
 - Separate VDSL chipset for best performance
- **Ethernet** interface for Triple Play and service tests
 - Ethernet tester (10/100 Base-T) for testing services
 - Supports PC replacement operation mode

Triple Play testing via ADSL, VDSL2 and Ethernet:

- **ATM layer** tests when using ADSL and ADSL2/2+
 - ATM-OAM ping and ATM-OAM cell loop, VPI/VCI-Scan
- **Data:** testing the data throughput using real data rates
 - PPP login and IP testing via IP ping (DNS, DHCP, VLAN)
 - HTTP download tests for throughput determination
- **Voice:** testing VoIP (Voice over IP) connections
 - VoIP terminal simulation, incl. acoustics (various codecs)
 - OK / FAIL evaluation and display of all relevant quality (QoS) and connection parameters
 - Evaluation of speech quality according to ITU-T P.800 MOS_{QOE} basing on E model in accordance with ITU-T G.107
- **Video:** testing IPTV and VoD services, incl. STB emulation
 - OK / FAIL evaluation and display of all relevant quality (QoE) and connection parameters
 - Incl. IPTV long-term analysis using WINanalyse software
 - Determines the MDI (Media Delivery Index) acc. to RFC 4445



(ADSL test report recorded with WINplus PC software.)

Circuit-switched interfaces:

- **ISDN:** ARGUS[®]142 is a comprehensive ISDN test set
 - ISDN BRI S/T interface acc. to ITU-T I.430 in TE mode
 - ISDN BRI U interface (2B1Q or 4B3T), acc. to ANSI T1.601
 - Test of BRI S bus leased lines
 - Automatic tests of services and supplementary services
 - Bit error rate testing (BERT) with various bit pattern and analysis according to ITU-T G.821 with OK evaluation
 - Simulation of X.31 terminal equipment up to X.25 network
 - Evaluation of speech quality straight on BRI S/T/U interface
- **POTS:** integrated comprehensive POTS test set (analog)
 - With DTMF and CLIP display, including pulse dial mode
 - Non-intrusive high-Z monitor, incl. voltage measurement
 - Evaluation of speech quality straight on the POTS interface

Documentation and analysis:

- **Documentation** of all the parameters recorded via automatic access tests in test reports (in device and on PC)
- **Data transfer** to the PC via USB client interface (Mini-USB)
- **WINplus** PC software for generating test reports and for configuring the ARGUS via PC (optional)
- **WINanalyse** PC software for configuration and documentation (optional)
 - Long-term analysis of ADSL and IPTV parameters (graphic)

Copper testing:

- RC measurement on the subscriber's line (local loop)
- Determines the loop resistance and the open capacitance
- Either between tip/ring, tip/ground, ring/ground (TRG)
- Includes a loop length calculation

Further highlights:

- Large brilliant QVGA colour display (LCD) with 320 x 240 ppx.
- Lightweight, compact and easy- to use
- Intuitive menu navigation and instant readiness for operation
- Free firmware updates from www.argus.info



Technical features:

- **Power supply** via Li-Ion battery pack or mains adaptor
- **Hotkeys** for quick execution of various single tests
- **Powermanagement**, user-defined
- **Keypad**: 18 keys, 4 cursor keys, 3 context-specific softkeys
- **LCD colour display** (QVGA - 320 x 240 pxs.), w/ backlight
- **LEDs**: 6 LEDs to indicate the status + Ethernet LEDs
- **Handset** with integrated earpiece and microphone
- **CE marking**: complies with CE directives
- **User safety**: EN 61010-1, EN 60950
- **RoHS** conformance according to WEEE directive
- **Top quality** management certified acc. to DIN EN ISO 9001

Interfaces:

- **2 x RJ-45** as line- and ISDN in-/output
- **Ethernet RJ-45** (10/100 Base-T)
- **USB client** interface (type mini B)
- **USB host** interface (type A)
- **Headset** plug socket

Environmental conditions:

- **Operating temperature**: 0°C (32°F) up to +50°C (122°F)
- **Storing temperature**: -15°C (5°F) up to +70°C (158°F)
- **Relative humidity**: up to 95 %, non-condensing

Dimensions:

- **Size**: H x W x D: 235 x 97 x 55 mm (9.25 x 3.8 x 2.2 in)
- **Weight**: ca. 730 g (1.61 lbs) - incl. battery pack

Standard package:

ARGUS®142 with Li-Ion battery pack, mains adaptor, minimum one DSL interface w/ test leads for this interface, user manual, mini USB cable

Basic packages:

ARGUS 142 ADSL Annex B

Order number: 114232

ARGUS 142 ADSL Annex A + M

Order number: 114202

ARGUS 142 ADSL Annex A + M + B

Order number: 114252

ARGUS 142 VDSL

Order number: 114272



Options:

Additional interfaces:

(every optional package includes the necessary test leads)

ADSL Annex A interface

Order number: 014205 (interface) or 014245 (extension)

ADSL Annex B interface

Order number: 014206 (interface) or 014246 (extension)

VDSL2 interface

Order number: 014208

ISDN BRI S/T TE interface

Order number: 014215

POTS interface

Order number: 014216

ISDN BRI S/T TE and POTS interface

Order number: 014217

ISDN BRI U (TE) 4B3T or 2B1Q interface

Order number: 015050 (4B3T) or 015051 (2B1Q)

Additional test features:

(depends on existing interface)

Bridge mode (ADSL, VDSL)

Order number: 014220

Router mode (ADSL, VDSL)

Order number: 014221

ATM test (only ADSL)

Order number: 014222

IP ping (via ADSL, VDSL, Ethernet)

Order number: 014223

IP HTTP download (via ADSL, VDSL, Ethernet)

Order number: 014224

VoIP test (via ADSL, VDSL, Ethernet)

Order number: 014230

IPTV test (via ADSL, VDSL, Ethernet)

Order number: 014235

Additional PC software:

(for Windows operating systems)

WINplus

Order number: 010012

WINanalyse

Order number: 015042

GESELLSCHAFT FÜR
INFORMATIONSTECHNIK mbH

Rahmedestraße 90
D-58507 Lüdenscheid

Tel: +49 2351 9070-0
Fax: +49 2351 9070-70

E-Mail: sales@argus.info
Internet: www.argus.info