

10/100 Replicator TAP

Designed for the regular Ethernet and Industrial Ethernet the ProfitAP™ offers the most complete and cost effective measurement solution for the Field Service Engineer:

Full Duplex, Fast Ethernet Monitoring for Time & Telegram Analysis at Real Time Ethernet

Standard Ethernet

Industrial Ethernet

10/100 UTP

The 100UTP Tap avoids downtime in your 10/100BaseT networks. It is invisible to the network and forwards IEEE 802.3af power (PoE) between the connected network devices.

Once in place it monitors full and half duplex communication and move test equipment without breaking the circuit.

It mirrors any packet size, bad CRC, VLAN traffic and sees both ends of full-duplex links.

The C1-100-RG4 is single port 10BaseT/100BaseTX Tap for half/full duplex Ethernet networks. It replicates the traffic to 4 dual channel (TX&RX) outputs for using up to 4 different monitoring device concurrently.

The „no package loss“ and redundant power feature makes it ideal for security applications.

Network ports A and B are hardware wired together. The Tap can be used Stand Alone or be rackmounted. Three (3) units fit in a 1U 19 inch Rack Plate.

It has 8 RJ45 ports to connect to the Monitoring System and 2 RJ45 ports to connect to the network on the frontside .



- *non intrusive In-Line Monitoring*
- *permanent Network Link guaranteed*
- *bypass data on power failure*
- *monitoring for all Protocol Levels*
- *802.3af & VoIP compliant.*
- *no Package Loss*
- *Indicators for Link Activity & Power*
- *works at 100mtrs distance*
- *galvanic separation for maximum protection*
- *optional rackmount and redundant Power option*

C1-100-RG4 offers a galvanic separation from the Network and protects your Analyzer from PoE and Ground Potential Differences and is fully 802.3af & VoIP compliant.

PROFITAP

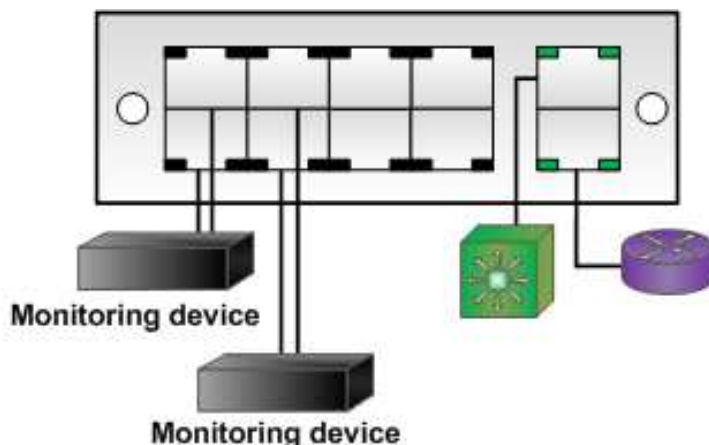
C1-100-RG4 Professional analysis require dedicated hardware...

The ProfitAP C4-100 is a straight forward solution. In-Line it sees and monitors all 7 protocol layers. While installed in the link it is invisible to the network and does not interfere in auto negotiation / speed or duplex settings.

general application:

Frontside :

- 4x2 MONITOR OUT (TX + RX):
- 1* LINE IN (TX+ RX):
- 1* LINE OUT (TX + RX):



Specification:

- unit in rigid metal housing, black oven painted
- 10x RJ45, 8 pin
- Powersupply 12V stabilized / 400mA (1x included)
- Powerconsumption appr. 240mA
- Operating Temperature : 0°C to 50°C
- Storage Temperature : -10°C to 80°C
- Humidity : 10% to 90%, none condensing

Weight& Size:

Main unit 14,2x10x4 cm (WxDxH), 530gr.

optional Accessoires

- 19" Rack Plate 1U (ARP1U-1M)
- Filling Plate (AFP1U) C1R-100 only
- extra external Power Supply (Redundancy) (APWR1)

for customer/sales/support worldwide contact:



+49 (0) 69 936 23 897
+49 (0) 69 3640 8925

sales@profitap.com www.profitap.com

your local partner: