

Protocol Analyzer TAP

Standard Ethernet

Industrial Ethernet

available models:

C1AP-100-S

with powerful statistics:

- *EasyStat*

C1AP-100-TF

with powerful features:

- *precise NanoSec TimeStamp*
- *MAC/IP Filter Tools*

Use your wellknown Analyzer Software and make it work for the real problems in a real Ethernet world :

- fast
- easy
- affordable
- reduces equipment to a minimum



One notebook, with any sniffer installed and one ProfiTAP is all you need for a profound analysis !

general features

Designed for the regular Ethernet and Industrial Ethernet the ProfiTAP™ offers the most complete and cost effective measurement solution for the Field Service Engineer:

- *Full-Duplex Aggregation into USB2.0*
- *non intrusive In-Line Monitoring*
- *permanent Network Link guaranteed*
- *monitoring for all Protocol Levels*
- *no Package Loss*
- *ultra compact, only 24x55x103mm*
- *USB powered, no adaptor required*
- *802.3af/Power-over-Ethernet (PoE) supported*

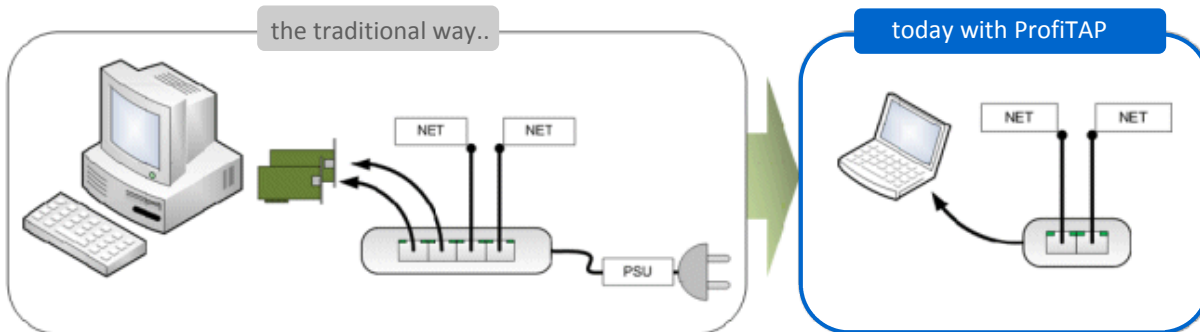


PROFITAP

C1AP-100

Professional analysis require dedicated hardware...

The ProfiTAP is a straight forward solution. In-Line it sees and monitors all 7 protocol layers. It captures and merges Full-Duplex traffic at Wire-Speed (200Mb). It requires only one USB 2.0 (480Mb) port. It is a cost-effective, ultra compact, easy to use solution. The hardware setup takes less than a minute.



ProfiTAP is invisible to the network and does not interfere in auto negotiation/speed or duplex settings. The Permanent Network link feature guarantees permanent network connectivity and no package loss also when power fails or the USB port is disconnected. One LED shows Power, two LEDs shows Link/Activity, two more CRC Errors on monitored link.

ProfiTAP is designed to work with 3rd party software like Wireshark/Ethereal, Optiview, Etherpeek, etc. The included USB Key holds the necessary drivers and powerful analysis software. 3 unique features will add more value during usage:

- Easy Stat Tool Application (C1AP-100-S)
- 5 NanoSec Time Stamp + Convertertool (C1AP-100TF)
- MAC/IP Filter Mechanic + SetUp tool (C1AP-100-TF)

PC requirements

USB 2.0 Port, DualCore Processor, 1-2 GB of Memory

Versions:

C1AP-100-S:

incl. USB Key with Drivers & Analyzer Software, **EasyStat Tool**, 1*RJ45 Cable 2m, 1*1,8m USB2.0 Cable, Pouch for carrying,

C1AP-100-TF:

Same accessoires, no Easy Stat Tool, but **incl. NanoSec Time Stamp and MAC/IP Filter**

Weight & Size:

Tap alone: 24x55x103 mm, total 26x100x165 mm, 200grams

Did you know ?

Standard PC or Laptop NICs are designed to communicate and drop invalid packages. The embedded or standard NIC's can often be setup for monitoring in promiscuous mode but they keep dropping errors and corrupt packages. Monitoring both TX and RX require two (2) NICs or an additional SPAN Port, Hub or Aggregator Tap.

All these combinations have disadvantages, do not see errors or drop packages.

for customer/sales/support worldwide contact:



+49 (0) 69 936 23 897
+49 (0) 69 3640 8925

sales@profitap.com www.profitap.com

your local partner: