

**portable Quad TAP**

Designed for the regular Ethernet and Industrial Ethernet the ProfitAP™ offers the most complete and cost effective measurement solution for the Field Service Engineer:

**Full Duplex, Fast Ethernet Monitoring for Time & Telegram Analysis at Real Time Ethernet**
**Standard Ethernet**
**Industrial Ethernet**
**10/100 UTP**

The 100UTP Tap avoids downtime in your 10/100BaseT networks. It is invisible to the network and forwards IEEE 802.3af power (PoE) between the connected network devices.

Once in place it monitors full and half duplex communication and move test equipment without breaking the circuit.

It mirrors any packet size, bad CRC, VLAN traffic and sees both ends of full-duplex links.

The C4-100 is a quad port 10BaseT/ 100BaseTX Tap for half/full duplex Ethernet networks. The „no package loss“ and redundant power feature makes it ideal for security applications.

Network ports A and B are hardware wired together. The Quad Port Tap can be used Stand Alone or be Rack Mounted. Three (3) units fit in a 1U 19 inch Rack Plate.

It has 8 RJ45 ports on the front to connect to the Monitoring Systems, and 8 RJ45 ports on the rear to connect to the network.



- *4 single TAPs in one space unit*
- *non intrusive In-Line Monitoring*
- *permanent Network Link guaranteed*
- *bypass data on power failure*
- *monitoring for all Protocol Levels*
- *802.3af & VoIP compliant.*
- *no Package Loss*
- *LED indicators for Link Activity & Power*
- *works at 100mtrs distance*
- *galvanic separation for maximum protection*
- *optional rackmount and redundant power option*

**C1\*-100** offers a galvanic separation from the Network and protects your Analyzer from PoE and Ground Potential Differences and is fully 802.3af & VoIP compliant.

# PROFITAP

## C4-100

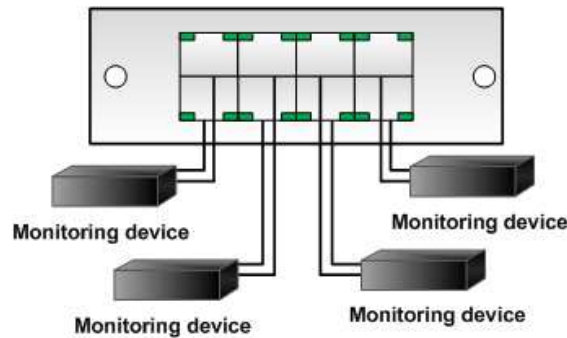
Professional analysis require dedicated hardware...

The ProfitAP C4-100 is a straight forward solution. In-Line it sees and monitors all 7 protocol layers. While installed in the link it is invisible to the network and does not interfere in auto negotiation / speed or duplex settings.

### general application:

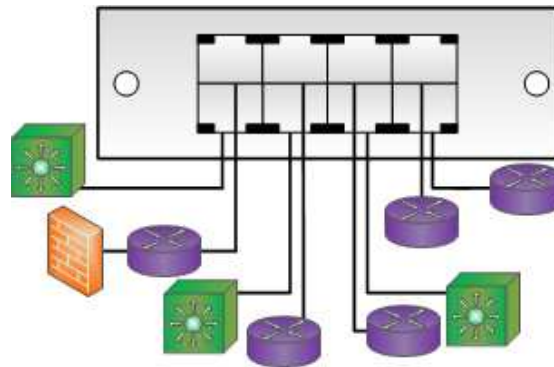
Frontside :

4x2 MONITOR OUT ( TX + RX):



Backside:

4\* LINE IN ( TX+ RX):  
4\* LINE OUT (TX + RX):



### Specification:

unit in rigid metal housing, black oven painted  
2x8 RJ45, 8 pin  
Powersupply 12V stabilized / 400mA (1x included)  
Powerconsumption appr. 160mA  
Operating Temperature : 0°C to 50°C  
Storage Temperature : -10°C to 80°C  
Humidity : 10% to 90%, none condensing

### Weight& Size:

Main unit 14,2x14,4 cm (WxDxH), 660gr.

### optional Accessoires



19" Rack Plate 1U  
(ARP1U-1M)



Filling Plate (AFP1U)



extra external Power Supply  
(Redundancy) (APWR1)

for customer/sales/support worldwide contact:



+49 (0) 69 936 23 897  
+49 (0) 69 3640 8925

sales@profitap.com www.profitap.com

your local partner: