



C8-1G

rackmount Multi TAP

Designed for the regular Ethernet and Industrial Ethernet the ProfitAP™ offers the most complete and cost effective measurement solution for the Field Service Engineer:

High Density Multi TAP

Standard Ethernet

Industrial Ethernet

10/100/1000 UTP

**C8-1G**

The C8-1G is a Multi-TAP for 10BaseT/ 100BaseT / 1000BaseT half/full duplex Ethernet networks.

The passive Tap avoids downtime in your 10/100/1000 BaseT networks.

It is invisible to the network and forwards IEEE 802.3af power (PoE) between the connected network devices.

Once in place it monitors full and half duplex communication and allows to move test equipment without breaking the circuit.

It mirrors any packet size, bad CRC, VLAN traffic and sees both ends of full-duplex links.

The „no package loss“ and redundant power-feature makes it ideal for security applications.

Network ports A and B are hardware wired together and so not introduce a point of failure to your network.

The bypass circuitry guarantees permanent network connectivity, also when power fails.

No data is passed to the Tap ports at power failure.

One unit fit in a 1U 19 inch Rack Plate.

It has all In and Out Ports and all Monitorports on the frontside.

- *8 single GigaBit TAPs in 1U rackspace unit*
- *non intrusive In-Line Monitoring*
- *permanent Network Link guaranteed*
- *bypass data on power failure*
- *monitoring for all Protocol Levels*
- *fully 802.3af & VoIP compliant.*
- *no Package Loss*
- *Indicators for Link Speed & Activity & Power*
- *works at 100mtrs distance*
- *galvanic separation for maximum protection*
- *rackmount*
- *redundant powered*

C8-1G offers a galvanic separation from the Network and protects your Analyzer from PoE and Ground Potential Differences and is fully 802.3af & VoIP compliant.

PROFITAP

C8-1G

Professional analysis require dedicated hardware...

The ProfitAP C8-1G MultiTAP is a straight forward solution. In-Line it sees and monitors all 7 protocol layers. While installed in the link it is invisible to the network and does not interfere in auto negotiation / speed or duplex settings.

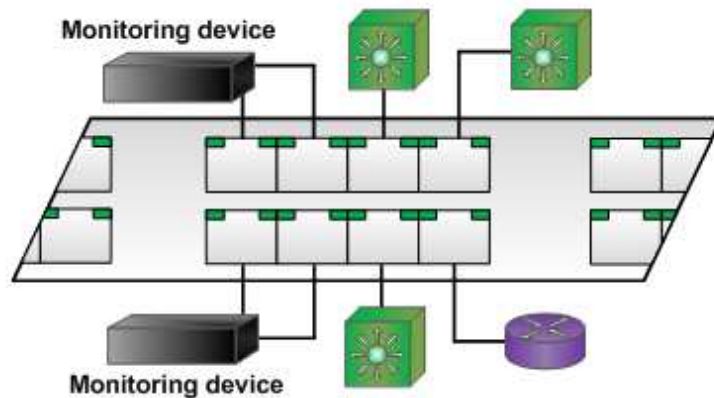
general application:

Frontside :

8*2 MONITOR OUT (TX + RX):

8 * LINE IN (TX+ RX):

8 * LINE OUT (TX + RX):



Specification:

1U unit metal housing, black oven painted

32 RJ45, 8 pin

Power : 90-240V, 50-60Hz

Powerconsumption appr. 200 W

Operating Temperature : 0°C to 50°C

Storage Temperature : -10°C to 80°C

Humidity : 10% to 90%, none condensing

Weight& Size:

Main unit 44x25x4,4 cm (WxDxH), 2,2kg.

Frontpanel Dimension 48,3cm (W)

for costumer/sales/support worldwide contact:



+49 (0) 69 936 23 897

+49 (0) 69 3640 8925

sales@profitap.com www.profitap.com

your local partner: