

In-Line WAN TAP

Designed for offering the most complete and cost effective measurement solution for the Field Service Engineer:

E3/DS3/T3 4 BNC TAP

W1-E3-B4

The E3/DS3/T3 portable TAP is an "In-Line" TAP for usage in any half or full duplex application. Unlike competitors' our products comply in any field condition.

The „no package loss“ feature makes it ideal for security applications.

Transparent to the network, it shows traffic in real time and copies all 7 layers

The network link is permanently wired and tapped by high impedance circuitry.

The permanent link feature guarantees network connectivity and bypasses data at power failure.

The unit has a DB15 monitor Tap connector on the backside which provides a connection to the WAN Monitoring System.

The unit is powered from the back through the DB15 connector, one LED show the presence of power.

The manual contains the DB15 pinlayout for the required cable (cable is not supplied).

Specification, Weight & Size:

metal housing, structured black oven painted
 4* BNC + DB15m
 external, via DB15m 12V stabilized
 Powerconsumption appr. 100mA
 Operating Temperature : 0°C to 50°C
 Storage Temperature : -10°C to 80°C
 Humidity : 10% to 90%, none condensing
 Main unit 14x8,3x3 cm (WxDxH), 260 gr.



- *non intrusive In-Line Monitoring*
- *permanent Network Link guaranteed*
- *bypass data on power failure*
- *monitoring for all Protocol Levels*
- *no Package Loss*
- *Indicator for Power*
- *Rackmount option*

general application:

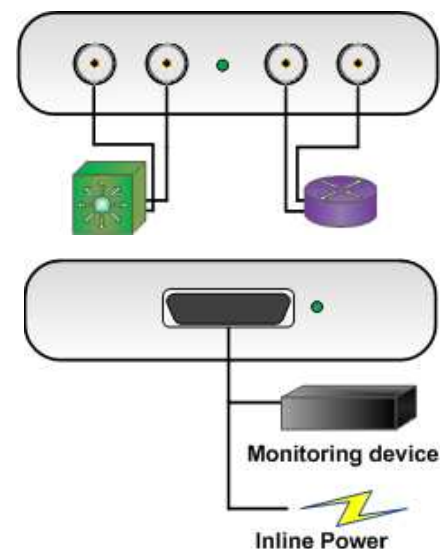
Frontside :

LINE IN (TX+ RX)
 LINE OUT (TX + RX)

Backside

MONITOR OUT
 DB15m

In-Line power via
 same DB15m



optional Accessoires

- Rackmount Brackets (AM2W)
- 19" Rack Plate 1U (ARP1U-1M)
- Filling Plate (AFP1U)

for customer/sales/support worldwide contact:



+49 (0) 69 936 23 897
 +49 (0) 69 3640 8925

sales@profitap.com www.profitap.com

your local partner: