

## QUATRIS / OCTRIS

### ISDN Basic Rate Accesses (S0/T0) multi-port analyzers



**QUATRIS & OCTRIS** ISDN probes are dedicated to multiple basic rate accesses maintenance and troubleshooting. Fully featured and easy to use, **QUATRIS & OCTRIS** are the own solution for maintenance of terminals connected to a group of ISDN basic rate accesses such as PBX, routers and multiplexers.

- ✍ **QUATRIS** is a 4 BRA ISDN multi-port analyzer
- ✍ **OCTRIS** is a 8 BRA ISDN multi-port analyzer

✍ **Protocol Analysis**: connected to a PC, **QUATRIS & OCTRIS** are some improved D channel ISDN protocol analyzers. Thanks to their connectivity with the **ACTRIS Windows™** software, **QUATRIS & OCTRIS** are able to provide a full decoding of most of the **ISDN** public and private protocols in use (EDSS1, VN6, 1TR6, Q.SIG, N-ISDN, X.25...). You can store your files on your PC and export your results. Many software facilities allow you to identify network or equipment faults.

✍ **Call Data Records** : this useful application is part of the **ACTRIS Windows™** software. It provides you a clear synthesis of all calls captured. No need to be an expert in protocol analysis to understand what is going on in the network. Filtering functions help you to quick focus on the relevant information. You can visualize the whole communications simultaneously in a single window.

Applications	Main Functions
<ul style="list-style-type: none"> <li>✍ Installation, commissioning and maintenance of ISDN group of BRA,</li> <li>✍ Installation, commissioning and maintenance of ISDN equipment (PBX, terminal equipment, NT1),</li> <li>✍ Troubleshooting and maintenance of public and private networks.</li> </ul>	<ul style="list-style-type: none"> <li>✍ Multi-Protocol Analysis (EDSS1, VN4/VN6, Q-SIG, X.25, DPNSS, DASS2, 1TR6, N-ISDN),</li> <li>✍ Multi-port simultaneous analysis,</li> <li>✍ Call Data Records and traffic analysis,</li> <li>✍ Real Time and Off Line ISDN D channel protocol decoding ,</li> <li>✍ Real Time and Off Line Filtering,</li> </ul>

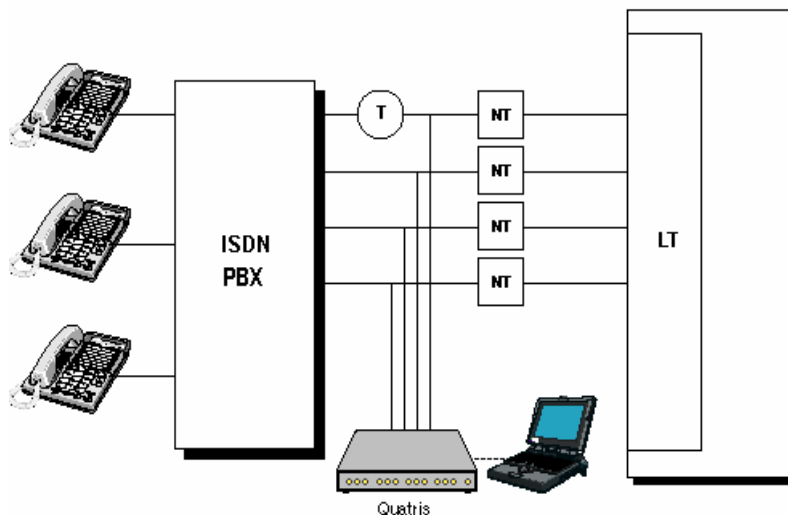
## CARRYING OUT

**QUATRIS & OCTRIS** facilitate the maintenance of installations connected to multiple ISDN accesses.

The D channel signaling of the accesses is recorded and timestamped using a unique time base. It allows the user to easily correlate problems that happen on various accesses.

Then Traffic analysis is only possible if the test equipment has the ability to take into consideration all the signaling of the customer premises.

Those features make **QUATRIS & OCTRIS** are an unique solution.



## Technical Specifications

Interfaces	QUATRIS	OCTRIS
Reference Point	S0/T0 (2B+D)	S0/T0 (2B+D)
Simultaneous analysis capability	4 BRA	8 BRA
<b>Electrical</b>		
Standards	ITU-T Rec. I.430 ETS 300 012	ITU-T Rec. I.430 ETS 300 012
Connector	4 x RJ-45	8 x RJ-45
Impedance	High Impedance	High Impedance
<b>Protocol Analysis</b>		
Protocols supported	EDSS1*, Q.931, VN4/VN6*, 1TR6, DPNSS, DASS2, T-NET, N-ISDN, Q-SIG*, X.25/D, CorNet-N, CorNet-NQ *: Including decoding of supplementary services.	
Filters	Real time and off line: frames type, TEI, SAPI, information element, addresses, call reference, text filters editor ...	
<b>Miscellaneous</b>		
PC interface	RS 232 for PC (remote control) and modem.	
Weight	1 kg	1.6 kg
Size	240 x 220 x 35	240 x 220 x 60
Power supply	12 V / 500 mA	24 V / 800 mA

### WAVETEL

Test & Mesure en Télécommunications / Analyse de trafic WAN et Internet

SARL au capital de 50.000 Euros

Espace Média - Parc technologique de Soye - F-56270 PLOEMEUR

Tél. / Phone : +33 (0)2 97 35 36 12 - Fax : +33 (0)2 97 35 36 13 email : [info@wavetel.fr](mailto:info@wavetel.fr) [www.wavetel.fr](http://www.wavetel.fr)

RCS Lorient : 443 937 719 SIRET: 443 937 719 00013 Code NAF 332B